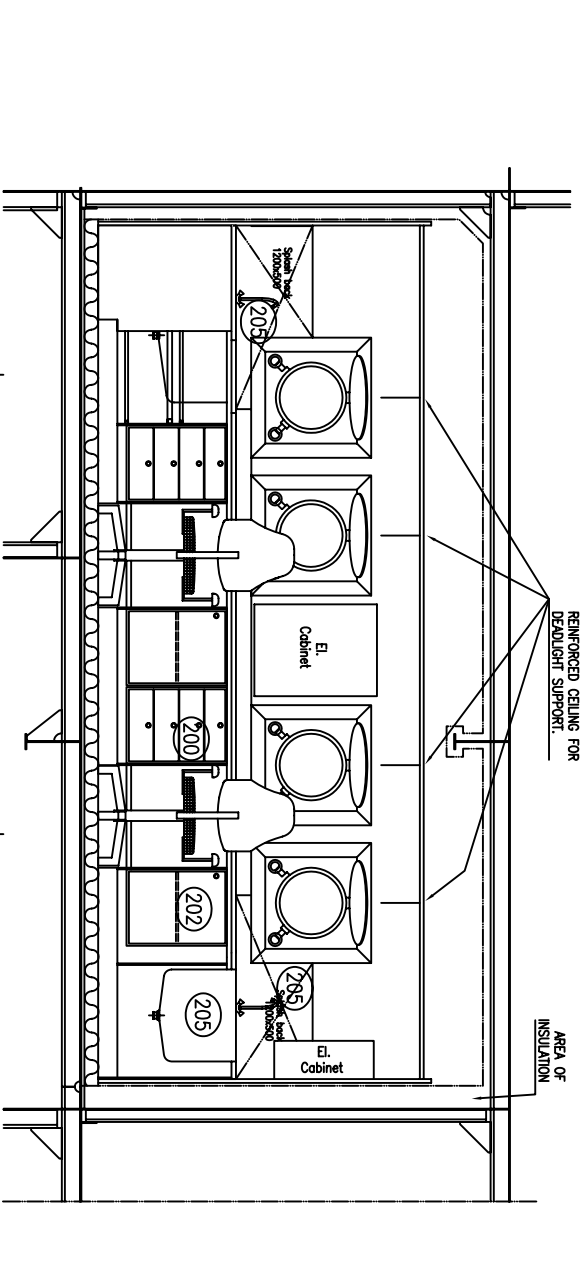


PLAN UPPER DECK



SECTION A-A

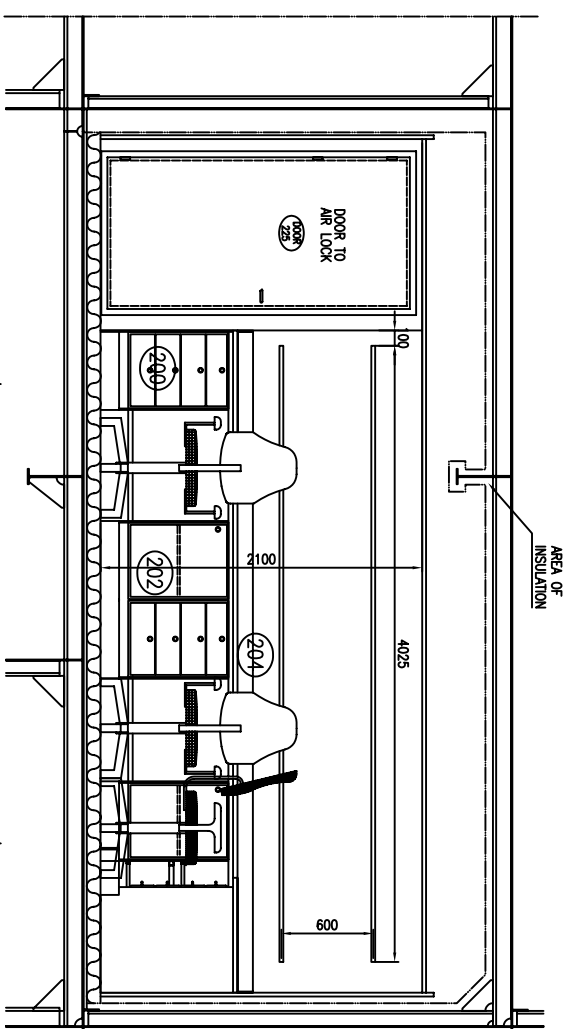
NOTE!

CEILING TO BE INSTALLED AT A HEIGHT ACC. TO SOR (MIN. 2100 AB. FLOOR), GIVEN DIMENSIONS ARE FOR GUIDANCE ONLY.

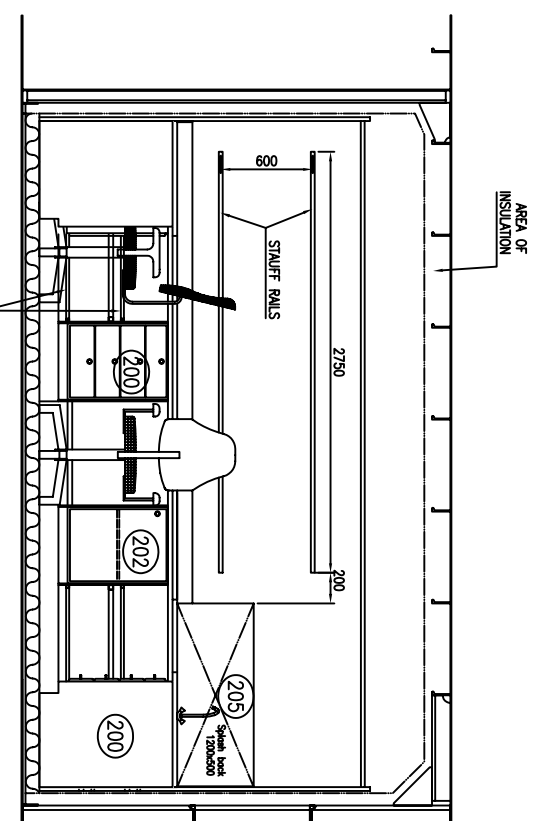
PIPES MAY PROTRUDE INTO ACCOMODATION, YARD TO MAKE LOCAL ENCLOSURE, IF NECESSARY.

THE LABORATORY TO BE INSULATED, VAPOUR SEALING IS ESSENTIAL.

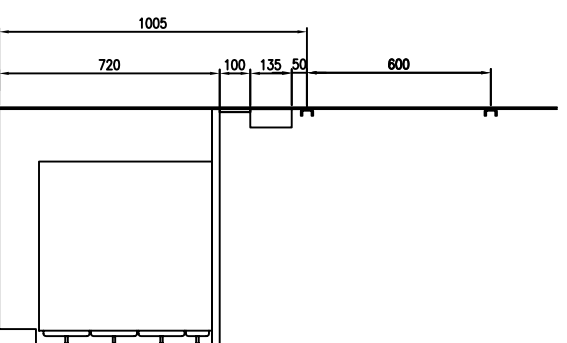
ALL STUFF RAILS ON WALL TO BE MOUNTED NOT MORE THAN 200mm FROM WALL OR CORNERS



SECTION B-B



SECTION C-C



SECTION OF CABINET DESK

205	2	SINK (HDPF) W/DOOR	Btl. 700x600
204	1pc.	DESK	Depth: 500 H: 900

POS	QTY	DESCRIPTION	TYPE	SIZE	SUPPLIER
202	5	SHELF CUPBOARD			
201	5	CHAIR			
200	5	DRAWERS			

REV.	DESCRIPTION	DATE	APPR.	DATE	REV.	DATE	REV.	DATE
A	REMOVED ACC. TO NERC COMMENTS	12.01.06	STG					
B	REMOVED ACC. TO NERC COMMENTS	20.02.06	STG					
C	EI. CABINET ADDED	25.04.06	STG					
D	REMOVED ACC. TO NERC COMMENTS	18.05.06	STG					
E	AS BUILT	18.08.06	FS					

FLÆKKERJORD SLIPP & MASKINFABRIKK

185

CONTROLLED ENVIRONMENT LAB, UPPER DECK

1:25

SKIPSTJEKNISK AS

2003077

CONSULTING NAVAL ARCHITECTS AND MARINE ENGINEERS
 Telefon: +47 70 10 33 44 Telefax: +47 70 10 33 48
 E-mail: office@skipsteknisk.no

185-484-005-E

This drawing is the property of Skipsteknisk AS and must neither be used, reproduced nor handed over to any third party without our written consent.