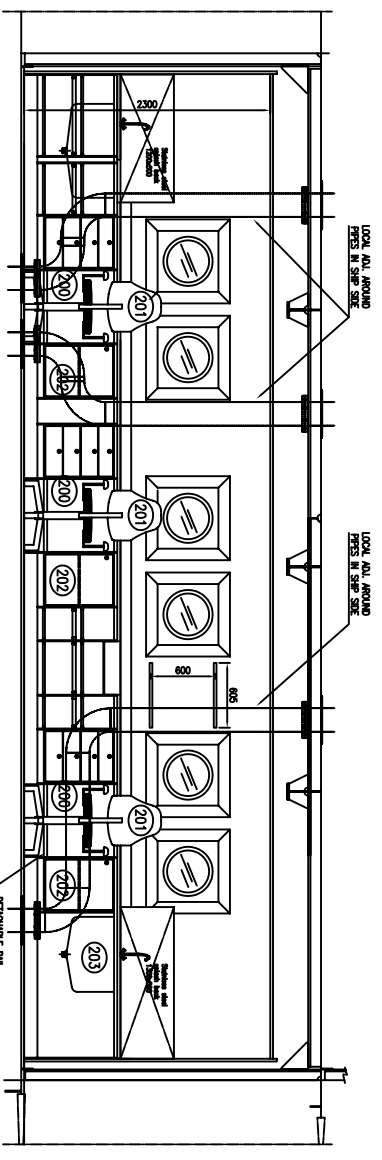
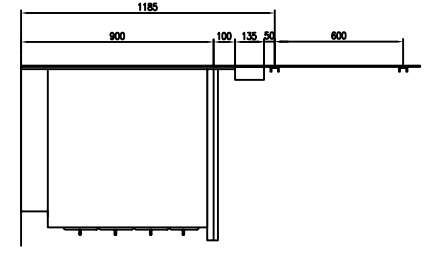


PLAN UPPER DECK

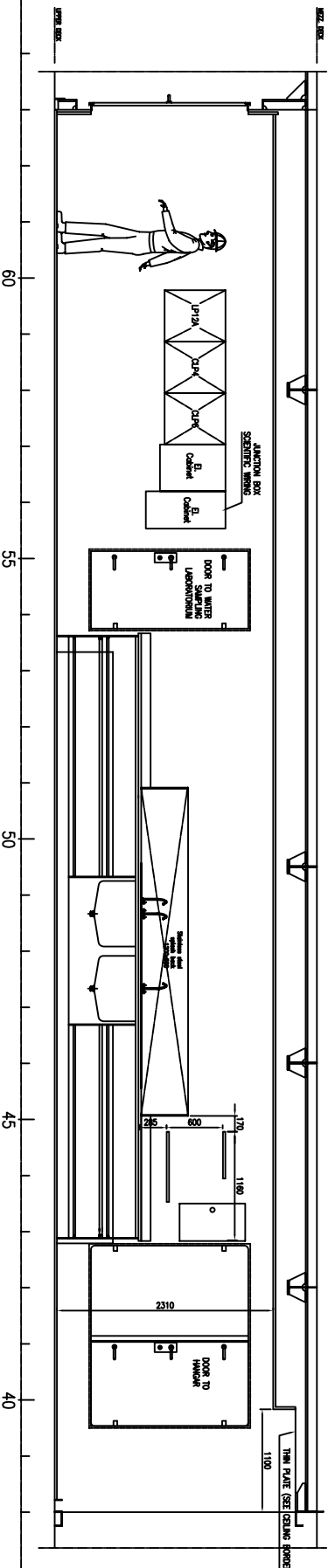


SECTION A-A

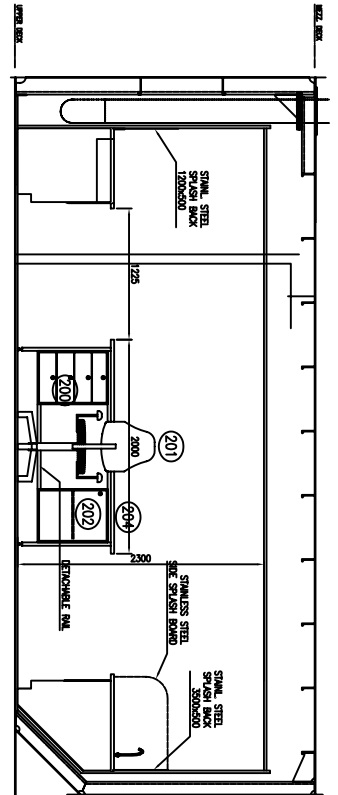


SECTION OF CABINET DESK  
SECTION OF CABINET DESK

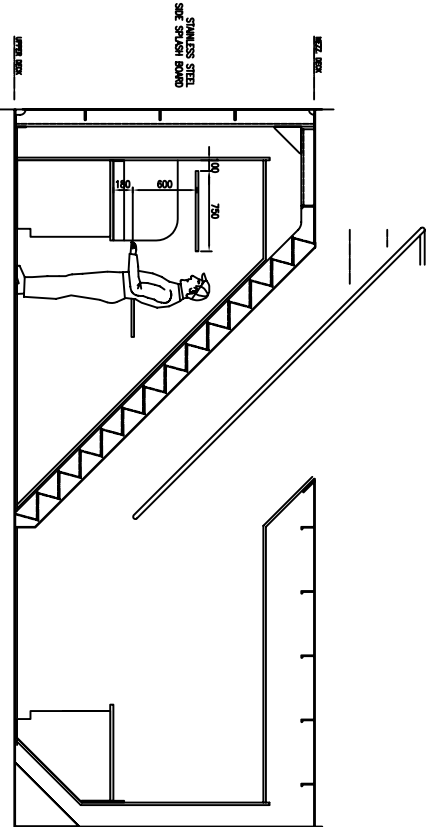
ALL STAFF RAILS ON WALL TO BE MOUNTED NOT MORE THAN 200mm FROM WALL OR CORNERS



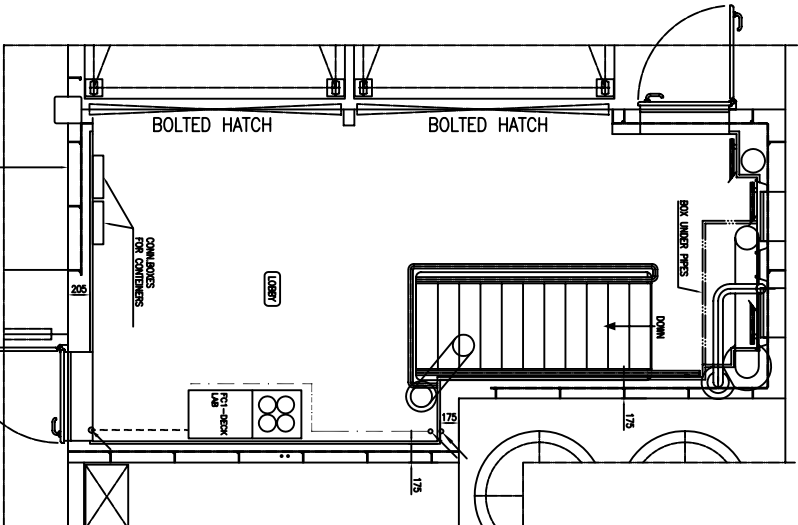
SECTION B-B  
LOOKING TOWARDS CENTRE LINE



SECTION C-C



SECTION D-D



PLAN MEZZANINE DECK

NO	QTY	DESCRIPTION	TYPE	SIZE	SUPPLIER
1	1	A	A		
2	1	A	A		
3	1	A	A		
4	1	A	A		
5	1	A	A		
6	1	A	A		
7	1	B	B		
8	1	B	B		

NOTE  
CEILING TO BE INSTALLED AT A HEIGHT ACC. TO SOR (MIN. 2300 AB FLOOR), GIVEN DIMENSIONS ARE FOR GUIDANCE ONLY.  
PRESS MAY PROTRUDE INTO ACCOMMODATION. YARD TO MAKE LOCAL ENCLOSURE, IF NECESSARY.

NO	QTY	DESCRIPTION	TYPE	SIZE	SUPPLIER
204	4	ISSE (4 corners detail to be removed)		R. 400	
203	4	STAINLESS STEEL SINK		1850x500	
202	7	SLIP COMPANION		500	
201	7	CHAIR			
200	7	DIMENERS			

DATE: 13.05.05  
NO: 0033

FLAKKORJOD SLIPP & MASKINABRIKK  
185

DECK LABORATORY, UPPER DECK  
1:25  
2003077

SKIPSTERNISK AS  
CONSULTING ARCHITECTS AND ENGINEERS  
185-484-001-G

The drawing is the property of Skipsternisk AS and shall not be used, reproduced or modified without the written consent of Skipsternisk AS.