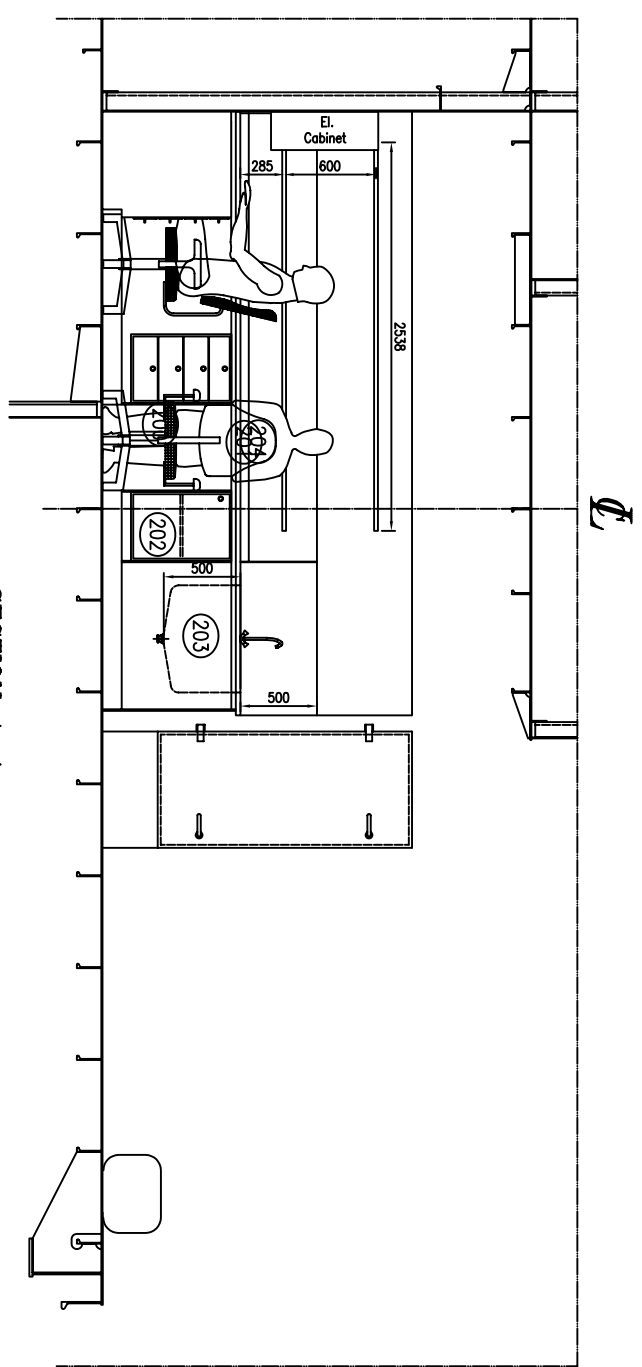
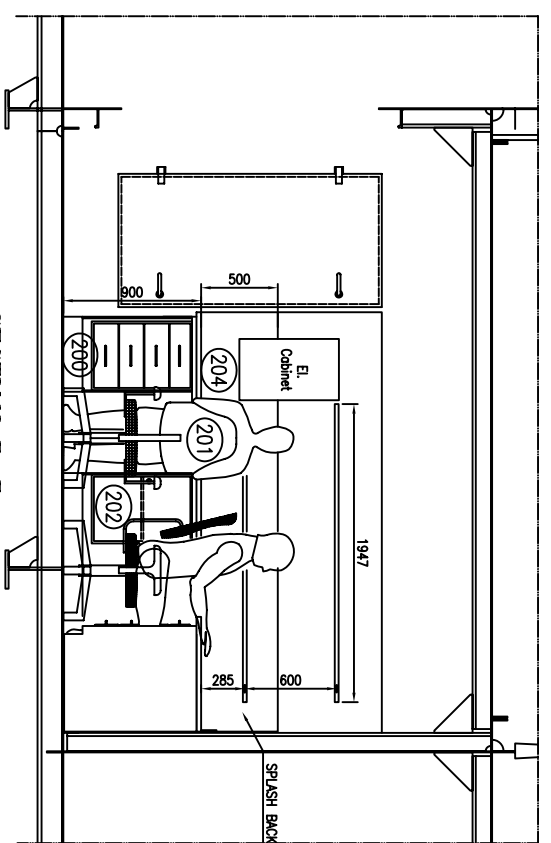


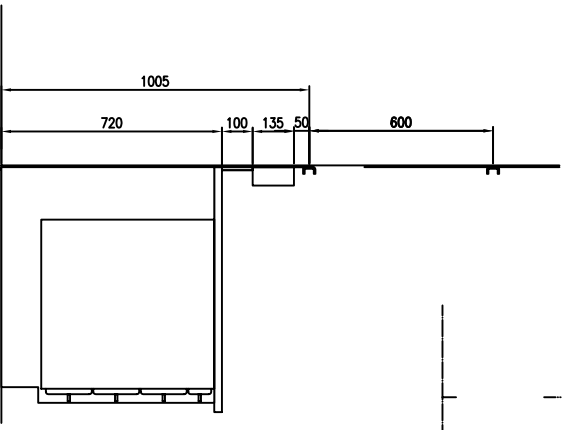
PLAN UPPER DECK



SECTION A-A



SECTION B-B



SECTION OF CABINET DESK

NO	DESCRIPTION	DATE	BY	SCALE
204	1	WRITING DESK W/ STAINLESS STEEL TOP		
203	2	STAINLESS STEEL SINK		
202	2	SHELF CABINET		
201	2	CHAIR		
200	2	DRAWERS		

REV.	DESCRIPTION	DATE	BY	SCALE
A	REVISED ACC. TO NERC COMMENTS	27.01.06	STG	
B	REVISED ACC. TO YARD COMMENTS	20.02.06	STG	
C	EL. CABINET ADDED	24.04.06	STG	
D	REVISED ACC. TO NERC COMMENTS	18.05.06	STG	
E	AS-BUILT	18.08.06	FS	

THE SCALE IS 1:25
 DATE 13.05.05
 PROJECT NO. 2003077

FLØKKERJORD SLIPP & MASKINFABRIKK
WATER SAMPLING LAB, UPPER DECK
SKIPSTEKNISK AS
 CONSULTING NAVAL ARCHITECTS AND MARINE ENGINEERS
 Telefon: 47 70 10 33 44 Telefax: 47 70 10 33 48
 E-mail: office@skipsteknik.no
 185-484-003-E

ALL STAUFF RAILS ON WALL TO BE MOUNTED NOT MORE THAN 200mm FROM WALL OR CORNER

This drawing is the property of Skipsteknik AS and must neither be used, reproduced nor handed over to any third party without our written consent.